

LCD Display H6

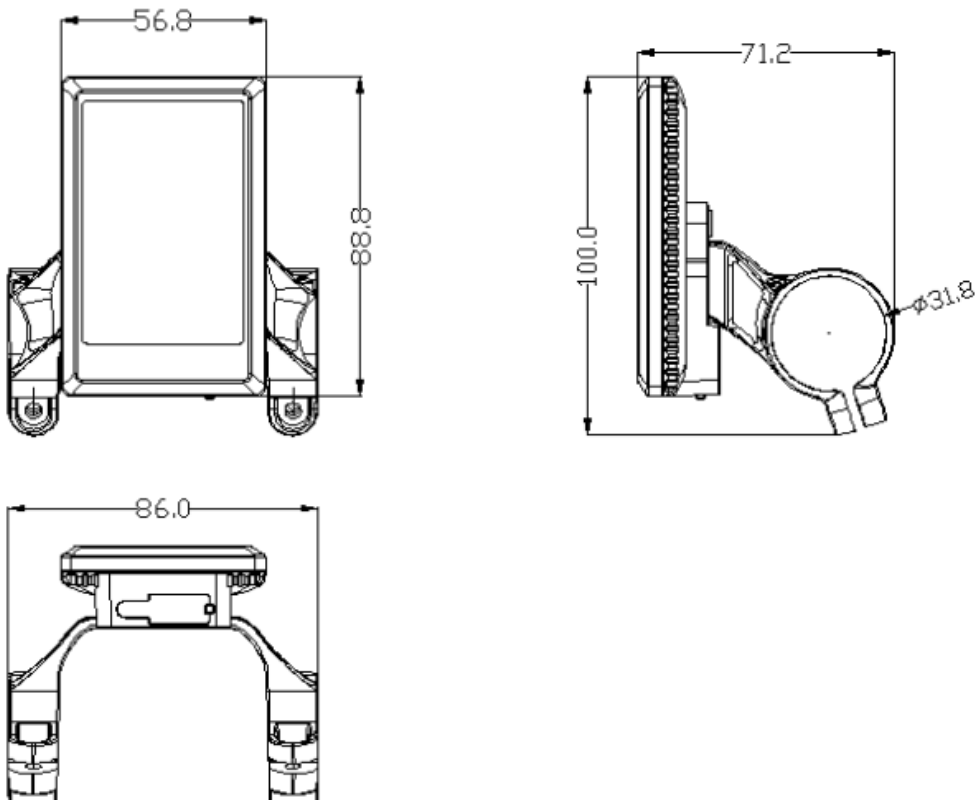
User Manual V.2017

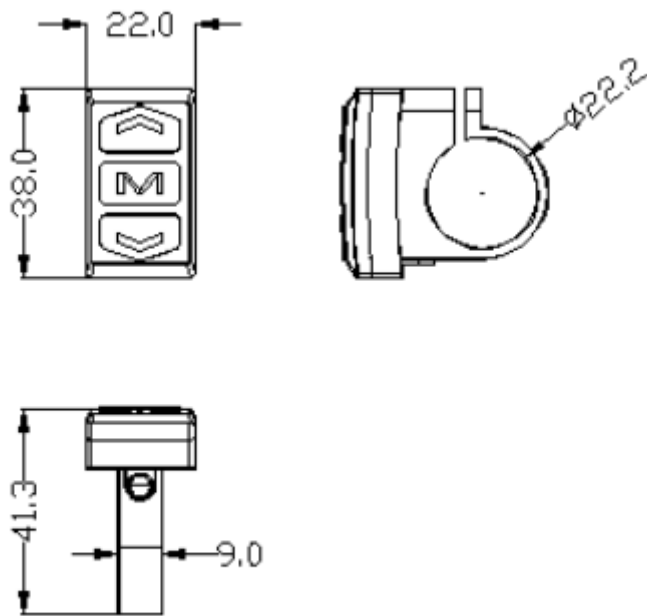


1. Exterior Parameters

Casing Material: ABS

Display Material: High Hardness Acrylic (the same hardness value as tempered glass)





Handlebar ring size alternatives: $\phi 22.2\text{mm}$

2. Operating Voltage and Connections

a. Operating Voltage: DC24V / 36V / 48V / 60V / 64V by display setting.
Other operating voltage can be customized.

b. Connections:

A. Standard Cabling Connection

Standard Connector Type



Controller Connector Display Output Connector Coupling Input Connector

Standard Connector Arrangement

Sequence No.	Wire Colour	Functions
1	Red (VCC)	Display Power Cable
2	Blue (K)	Controller Power On/Off Cable
3	Black (GND)	Display Ground Cable
4	Green (RX)	Display Data Receiving Wire
5	Yellow (TX)	Display Data Sending Wire

*Note: Some products use waterproof connectors, whose internal wire arrangements cannot be identified from the exterior.

Display Interface



Display Details

3.1 Battery Level 54%

3.2 Speed Display

- Maximum Speed: MAX
- Average Speed: AVG
- Measuring Unit: MPH or KM/H

The display will calculate the actual travelling speed based on the wheel diameter and signal data.

3.3 Power Assist Level



Power Assist Level (0-9 Adjustable)

3.4 Controller Temperature

TEMP °C
24

3.5 Mileage **ODO 090.3 km**

3.6 Real-Time Clock (UTC+8)

CLK 12:23:54

3.6 Error Code

**[E:6]
Low voltage protect**

Error Code and Indications

Error Code (decimal)	Indications	Note
0	Normal	
1	Reserved	
2	Brake	
3	PAS Sensor Failure (riding mark)	Not Realized
4	6km/h Cruise	
5	Real-Time Cruise	
6	Low Battery	
7	Motor Failure	
8	Throttle Failure	
9	Controller Failure	
10	Communications Receiving Failure	
11	Communications Sending Failure	
12	BMS Communications Failure	
13	Light Failure	

3.7 Menu Settings

3.7.1. **Metric-** Measuring System

Metric: Press **M** and choose **Metric.**

Imperial: Press **M** and choose **Imperial.**

3.7.2. **Brightness-** Display Brightness

Press **Up/Down** key to choose from 1~5. 1 for the dimmest, 5 for the brightest.

3.7.3. **Auto Off-** Automatic Power Off Time

Press **Up/Down** key to choose from 1~5. The unit is minute.

3.7.4. **Scenes-** Display Type

Press **M** and choose **Digital** to set digital display type.

3.7.5. **Battery Ind-** Battery Level

Press **Up/Down** key to shift among **Voltage/Percent/OFF**. And the display will show in turn the battery volt value / battery remaining percentage / off.

- Battery remaining percentage requires BMS communications availability.

3.7.6. **Clock-** Clock Settings

Press **M** and enter the clock setting interface. Press **Up/Down** key to adjust YY/MM/DD/HH/MM/SS. Press BACK when settings done. Short press **M** to return to the previous menu.

3.8 Basic Settings

Note: Press **Up/Down** key to slide down the red arrow, short press **M** to show all the items in the Basic Settings Menu.

3.8.1. **Wheel-** Wheel Diameter. Press **Up/Down** key to change value (0-50). Incorrect wheel diameter will cause false speed display.

3.8.2. **Battery-**Battery Voltage. Press **Up/Down** key to scroll and choose among **24V/36V/48V/60V**.

3.8.3. **Start password-** Password Setting. Not available temporarily.

3.8.4. **Advance setting-** Advanced settings. Short press **M** to enter Advance Setting Password interface. Enter Advance Setting submenu, set up the items as follows:

- Speed Limit Setting. Default value 50km/h. Press **Up/Down** key adjust speed limit value. Min. value: 1km/h. Max. value: 100km/h.
- Speed and current limit is subject to motor and controller, and may not reach the set value.
- Current Limit Setting. Default value 12A. Press **Up/Down** key adjust current limit value. Min. value: 6A. Max. value: 50A.
- Motor Magnet Steel Number. The value of speed-testing magnet steel number is 1. Press **Up/Down** key to adjust magnet steel number. The min. value is 1, the max. value is 255.
- PAS Start Magnet Steel Number. The number of magnet steel turning to trigger PAS. Press **Up/Down** key to adjust the value 1/2/3. The default value is 3.
- Soft Start Mode. Press **Up/Down** key to choose the start mode Pow/ECO/STD. Pow is the strongest start mode. ECO is energy-saving start mode. STD is standard start mode (by default). This function requires controller support.
- Throttle Gear Level (available when the previous item is set at throttle max speed). Press **Up/Down** key to choose Y/N. N for only one throttle level. Y for multiple throttle levels (throttle speed output varies at different level).
- Clockwise (PAS direction). The turning direction of the PAS sensor. Press **Up/Down** key to choose Y/N. Y for clockwise direction, N for anti-clockwise direction.
- Throttle 6km. Press **Up/Down** key to choose Y/N. Y for 6km/h walking boost, N for throttle speed maximized (by default).
- Key Antijam: Anti-jam function for keys.

previous menu.

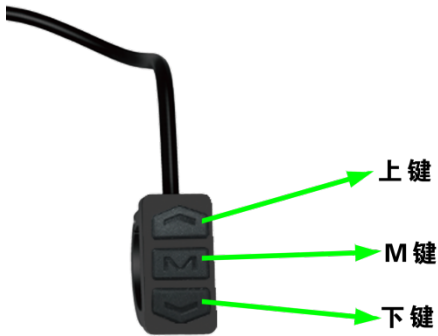
6. **Information.** Enter the Information interface to check speed and mileage display mode info.

- Product info. Enter Product info interface to check hardware (Hardware ver.) and software version (Software ver.), production date (Date) and serial info (Serial No.).
- Battery Info. Enter Product info interface to check real-time battery voltage level (Voltage), battery remaining capacity percentage (Capacity).

7. **Display.**

4. Key Operation.

There are totally 3 keys defined respectively as the "Up" key, "M" key, "Down" key.



1. On/Off

Long press the **M** key for around 2 seconds to power on and off.

2. Day/Night Mode Shift



On the primary interface, long press the **Up** key to switch Day/Night mode. The background tune of the LCD display will shift.

Under current Night mode, the front light will be turned on automatically. (The front light icon is default on the interface and will be added later).

3. 6KM Cruise.

On the primary interface, long press the **Down** key to enter 6KM cruise mode.

4. Gear Shift.

On the primary interface, short press the **Up** key and **Down** key to shift gears.

5. Speed Mode Change

On the primary interface, short press the **M** key to shift speed display mode. Then short press the **Up** key or **Down** key to shift in turn real-time speed (RT), maximum

speed (MAX), average speed (AVG).

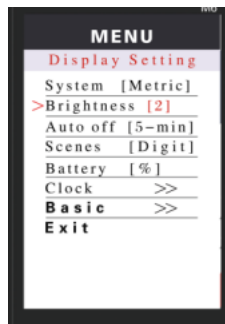
6. Mileage Mode / Operation Time Shift.

Again short press the **M** key to enter ODO/Trip/Time shift. Display in turn total mileage/single mileage/current operation time (Note: the last line is real time clock).

7. Parameter Settings

1) Long press the **Up** key and **Down** key to enter/exit parameter setting interface.

2). On the parameter setting interface, the left red cursor is used to indicate the current parameter position.



3) Short press the **M** key and the parameter will turn red for adjustment. Short press the **Up** key and **Down** key to change the parameter. Again short press the **M** key to exit the current setting mode, and enter parameter shift/choose mode. Short press the **Up** key and **Down** key to scroll the current chosen parameter.

4) On the bottom of the parameter setting section is EXIT, Basic (on other pages Display). Choose this and short press **M** key to enter/exit, next/present menu.

Note: Due to product upgrade, the product you purchased may be slightly different from the descriptions in this user manual, and this won't affect normal usage.