

C800S Instructions



CONTENT

1.About the user manual.....	4
2.Outlook and size.....	5
2.1Material and color.....	5
2.2 Button definition.....	6
3.Function summary.....	7
4.Setup summary.....	8
4.1 Reset trip distance to 0.....	8
4.2 Backlight setting.....	8
4.3 Max speed limited setting.....	8
4.4 Wheel diameter setting.....	8
4.5 KM/H&MPH.....	8
4.6 Volts setting.....	8
4.7 Advance setting.....	9
4.7.1 Current limiting setting.....	9
4.7.2 Velocity measurement setting.....	9
4.7.3 Starting magnetic steel number setting.....	9
4.7.4 Throttle 6KM.....	9

4.7.5 Throttle classifying.....	9
4.7.6 Power level.....	9
4.7.7 Password.....	9
4.7.8 Exit.....	9
4.8 Version information.....	9
4.9 Save & Exit.....	9
5.Wire order definition.....	10
6.Common problems and solutions.....	11
7.Quality & Warranty.....	12
8.Error code table.....	13

1.About the user manual

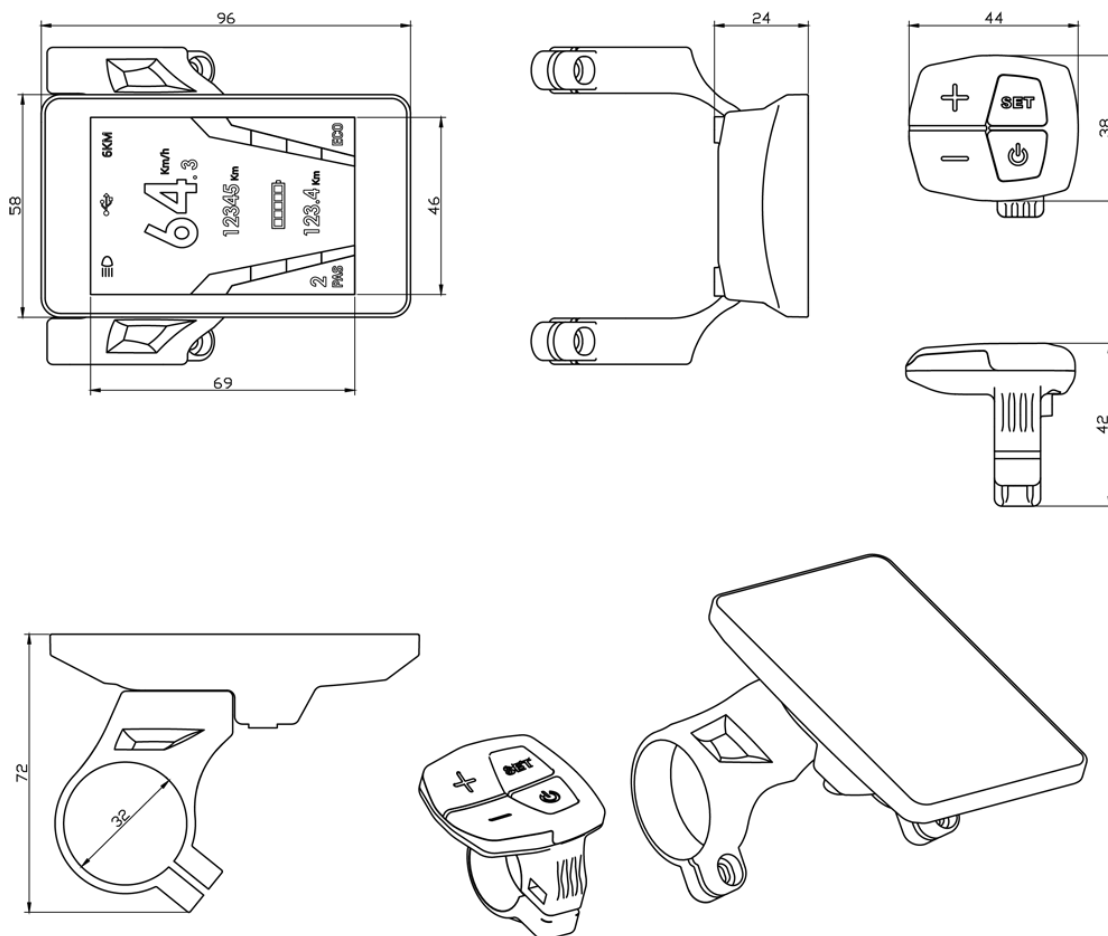
Dear users, in order to operate your electric car better, please read the C800S instrument manual carefully before use. We will tell you every step of the instrument in the most concise language, from hardware installation and setup to normal use of the instrument. At the same time help you solve the confusion and obstacles that may arise.

2.Outlook and size

2.1Material and color

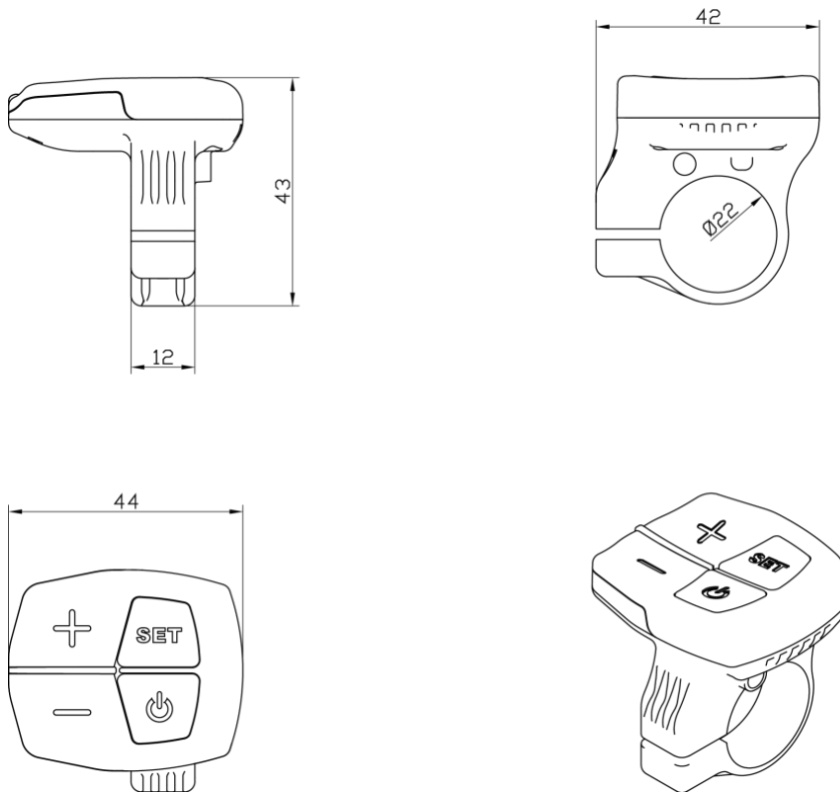
Products are made of black Aluminum alloy material and the bracket is made of nylon material. Under the temperature of -20 to 60°C, the shell material can ensure normal usage and good mechanical performance of the products.

Dimension figure (unit: mm).



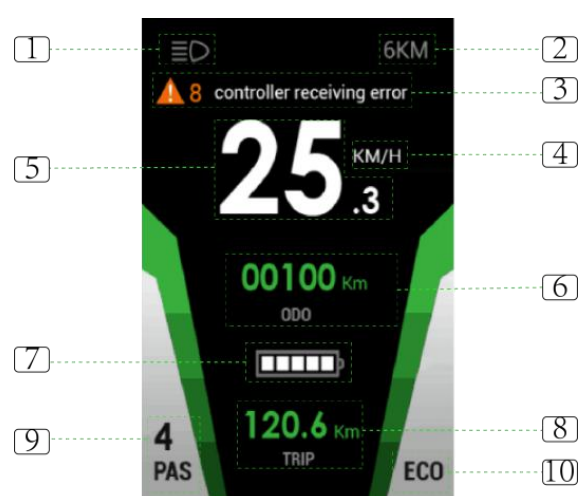
2.2 Button definition

C800S has four buttons, including ON/OFF、SET、UP and DOWN.



3. Function summary

C800S provides a wide range of functions and indicators to fit the users' needs. The indicated contents are as below.:



3.1 Backlight indicator:

With the power on, click the ON/OFF and turn on the backlight.

3.2 6KM/H work:

Hold the DOWN for 2 seconds to get in 6km work.

3.3 Error:

Display the current error code.

3.4 KM/H&MPH:

Select KM/H or MPH as the current display unit.

3.5 Speed display:

Display the speed at present.

3.6 ODO:

The ODO records the driving mileage from using, the accumulated value cannot be cleared.

3.7 Electric quantity display:

Display current electric quantity.

3.8 Trip:

Display shows the user's single riding mileage.

3.9 PAS: Display the current output power.

3.10 Riding mode selection:

Three modes for riding, including POWER, NORMAL and ECO. The default option is NORMAL.

4.Setup summary

Click SET 2 seconds enter the general setting interface.

4.1 Reset trip distance to 0.

MENU	
Display Setting	
➔ 1.Trip Clear	N
2.Brightness	1
3.Speed Limit	20
4.Wheel Size	16
5.Units	MPH
6.Battery	24V
7.Advance setting	>
8.Information	>
9.Save & Exit	

4.2 Backlight setting.

MENU	
Display Setting	
1.Trip Clear	N
➔ 2.Brightness	5
3.Speed Limit	20
4.Wheel Size	16
5.Units	MPH
6.Battery	24V
7.Advance setting	>
8.Information	>
9.Save & Exit	

4.3 Max speed limited setting.

MENU	
Display Setting	
1.Trip Clear	N
2.Brightness	5
➔ 3.Speed Limit	20
4.Wheel Size	16
5.Units	MPH
6.Battery	24V
7.Advance setting	>
8.Information	>
9.Save & Exit	

4.4 Wheel diameter setting.

MENU	
Display Setting	
1.Trip Clear	N
2.Brightness	5
3.Speed Limit	20
➔ 4.Wheel Size	16
5.Units	MPH
6.Battery	24V
7.Advance setting	>
8.Information	>
9.Save & Exit	

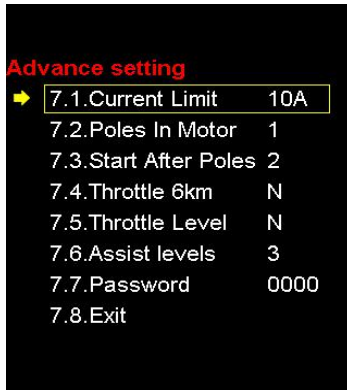
4.5 KM/H&MPH.

MENU	
Display Setting	
1.Trip Clear	N
2.Brightness	5
3.Speed Limit	20
4.Wheel Size	16
➔ 5.Units	KMH
6.Battery	24V
7.Advance setting	>
8.Information	>
9.Save & Exit	

4.6 Volts setting.

MENU	
Display Setting	
1.Trip Clear	N
2.Brightness	5
3.Speed Limit	20
4.Wheel Size	16
5.Units	KMH
➔ 6.Battery	36V
7.Advance setting	>
8.Information	>
9.Save & Exit	

4.7 Advance setting: click set, enter Advance setting.



4.7.1 Current limiting setting (Range:3-18).

4.7.2 Velocity measurement setting(1/6).

4.7.3 Starting magnetic steel number setting (2-16) .

4.7.4 throttle 6KM, Y represents the turning knob into the 6KM pushing mode, and N represents the starting turning knob to the maximum.

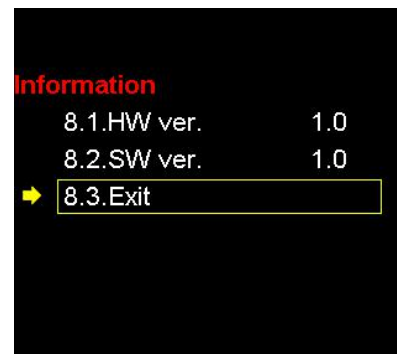
4.7.5 throttle classifying, Y Said step, N undivided.

4.7.6 Power level, can set 3、 5、 6、 9.

4.7.7 Password: Power-On Password.

4.7.8 Exit.

4.8 Information Displays current software and hardware version information, HW: hardware、 SW software.



4.9 Save & Exit: Click “SET” Set up information will be saved and exit.

※When the riding speed is 0 km/h for 5 minutes, the system will go to sleep automatically.

5. Wire order definition

Wires sequence	Wires color	Function
1	Red	Battery+
2	Blue	Weak lock
3	Black	Battery-
4	Green	UART - RECEIVE (RXD)
5	Yellow	UART - SEND (TXD)

6.Common problems and solutions

Q: Why the display is not able to start up?

A: Checking the connector that between display and controller.

Q: How to deal with the error code?

A: Fix it to the maintenance place immediately. If cannot be resolved, you can go to the electric vehicle repair points repair it in a timely manner.

7. Quality & Warranty

Any quality problems in normal case and in guarantee period, our company will responsible for the warranty .

The warranty time is 18 months from date of purchasing.

Other items:

The following items are not belong to warranty scope:

1. It can't be demolished.
2. The damage caused by wrong installation or operation.
3. Shell is broken when display is out of the factory.
4. Wire is broken.
5. Force disaster (such as fire, earthquake, etc.) or natural disasters like lightning, etc caused by fault or damage.
6. Beyond Warranty period.

8.Error code table

The error code is corresponding with the fault definition.:

Error code	definition
0	normal
1	Current error or MOS damaged
2	Throttle error(Start detection)
3	motor no phase position
4	Hall error
5	Brake error(Start detection)
6	Under voltage
7	Motor stalling
8	communication controller receiving error
9	communication display receiving error